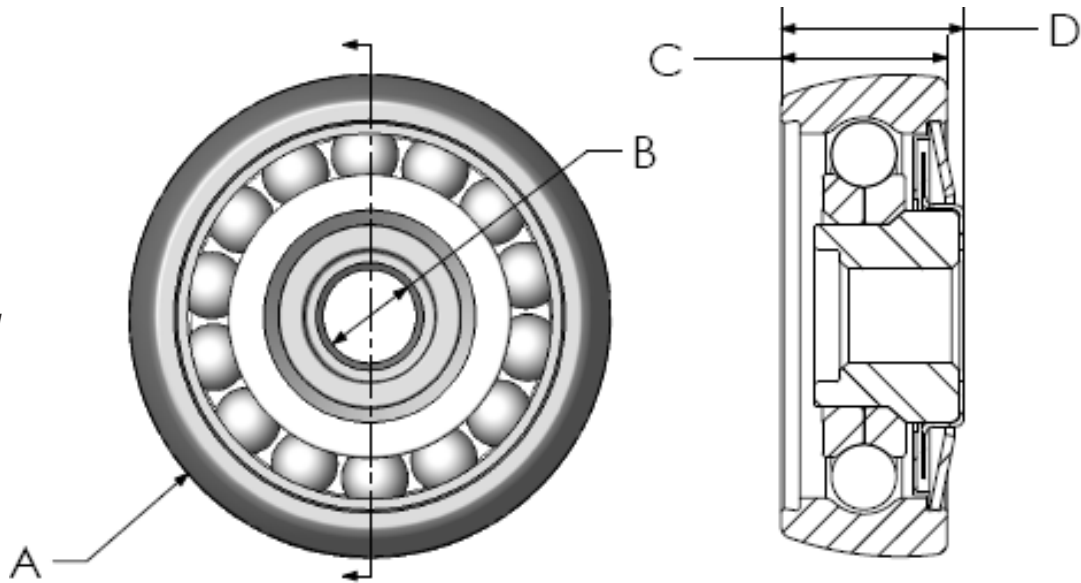


Wheels

3" Track FBC Wheels



QP: Quantum Plus-brass
inner seal, full contact
teflon seal

FF: Flat Face

LAB: Triple Labyrinth Seal

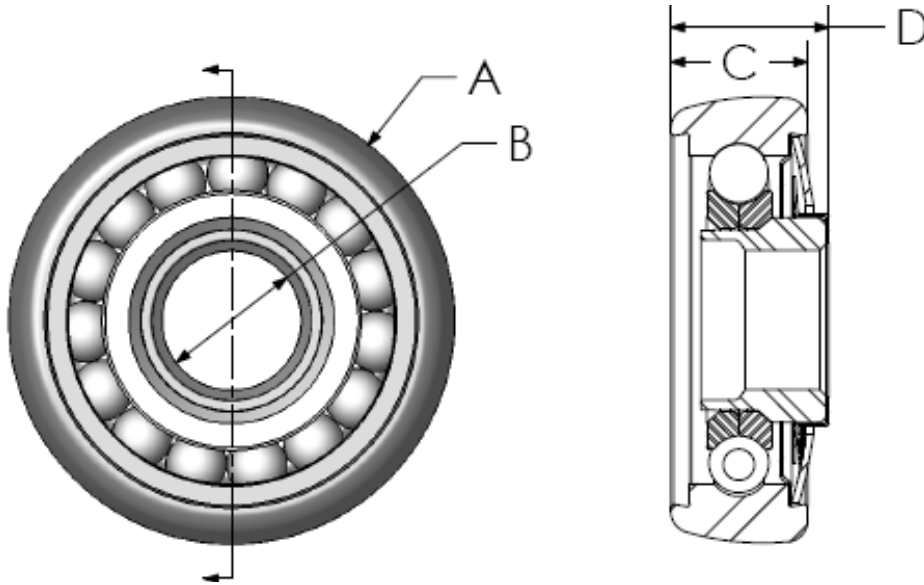
O/O: Open/Open-no seals

SOS: Single Outer Seal

Part #	A		B	C		D		Seals
	mm	in	in	mm	in	mm	in	
CU2381/1SR	59.13	2.328	3/8"	19.05	0.750	20.60	0.811	O/O
CU2381/1MTR	59.13	2.328	3/8"	19.05	0.750	21.10	0.831	LAB
CU2483/1WB	54.00	2.126	1/2"	19.05	0.750	21.10	0.831	LAB
CU9022	57.98	2.283	1/2"	20.06	0.790	22.09	0.870	QP
CU9030	57.98	2.283	1/2"	19.05	0.750	21.10	0.831	LAB
CU9046	59.13	2.328	7/16"	19.05	0.750	20.60	0.811	O/O
CU9049	59.13	2.328	7/16"	19.05	0.750	21.10	0.831	LAB
CU9058	59.13	2.328	1/2"	19.05	0.750	21.10	0.831	LAB
CU9059	59.13	2.328	1/2"	19.05	0.750	20.60	0.811	O/O
CU9059OS	59.13	2.328	1/2"	19.05	0.750	20.60	0.811	SOS
CU9060	59.13	2.328	5/8"	19.05	0.750	20.60	0.811	O/O
CU9061	59.13	2.328	5/8"	19.05	0.750	21.10	0.831	LAB
CU9065	59.13	2.328	7/16"	19.05	0.750	20.60	0.811	SOS
CU90910/O	57.15	2.250	5/8"	20.70	0.815	22.10	0.870	O/O-FF
CU9091	57.15	2.250	5/8"	20.70	0.815	22.70	0.894	LAB-FF

Wheels

4" Track FBC Wheels

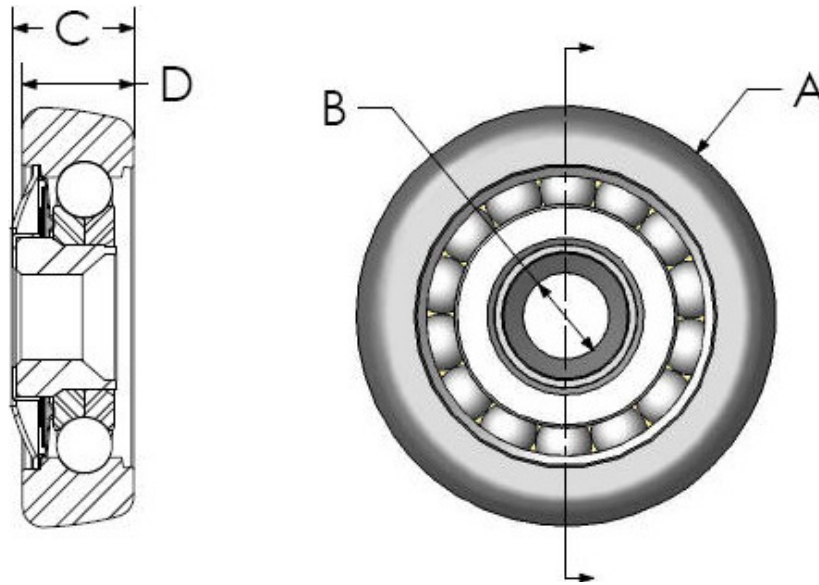


RET: Retainer
QP: Quantum Plus-brass inner seal, full contact teflon seal
LAB: Triple Labyrinth Seal
O/O: Open/Open-no seals
SOS: Single Outer Seal
SS: Stainless Steel

Part #	A		B	C		D		Seals
	mm	in	in	mm	in	mm	in	
CU3127	82.55	3.250	1"	25.40	1.000	28.90	1.138	O/O
CU9018SR	82	3.228	20mm	28.00	1.102	31.02	1.221	O/O
CU9020	82.00	3.228	20mm	28.00	1.102	32.20	1.268	LAB
CU9021	82.55	3.250	1"	25.40	1.000	29.40	1.157	LAB
CU9026	80	3.150	1"	25.40	1.000	29.40	1.157	LAB
CU9029	82.55	3.250	1"	25.40	1.000	28.90	1.138	SOS
CU9053	80.95	3.187	1"	25.40	1.000	29.40	1.157	LAB
CU9053SR	80.95	3.187	1"	25.40	1.000	28.90	1.138	O/O
CU9053OS	80.95	3.187	1"	25.40	1.000	28.90	1.138	SOS
CU9063	82.55	3.250	25/32"	25.40	1.000	29.40	1.157	LAB
CU9064	82.55	3.250	1"	25.40	1.000	28.90	1.138	O/O 14BALL
CU9066	82.55	3.250	1/2"	25.40	1.000	29.40	1.157	LAB
CU9067	81.5	3.209	3/4"	24.50	0.965	28.50	1.122	RET-LAB
CU9072	82.55	3.250	1"	25.40	1.000	29.40	1.157	QP-SS
CU9075	82.55	3.250	5/8"	25.40	1.000	29.40	1.157	LAB

Wheels

6" Track FBC Wheels

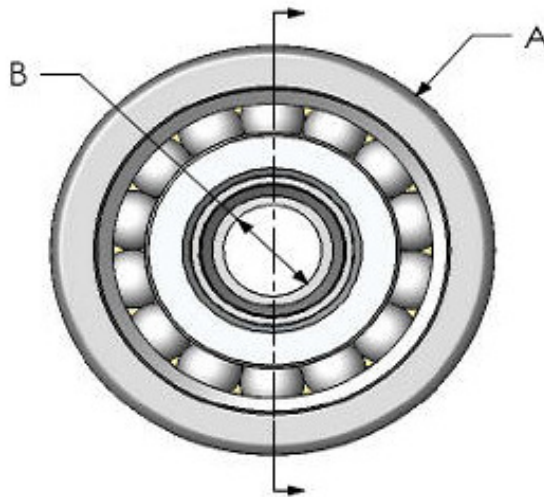
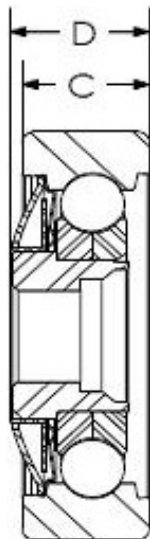


RET: Retainer
QP: Quantum Plus-brass inner seal, full contact teflon seal
LAB: Triple Labyrinth Seal
O/O: Open/Open-no seals
SOS: Single Outer Seal
SS: Stainless Steel

	Part #	A		B	C		D		Seals
		mm	in	in	mm	in	mm	in	
SHIP CHANNEL	CU2314/1	125.35	4.935	1"	33.34	1.313	36.10	1.421	RET-LAB
	CU2351SR	125.35	4.935	1"	33.34	1.313	35.40	1.394	O/O
	CU9034	125.35	4.935	1"	33.34	1.313	36.10	1.421	LAB
	CU9035B	125.35	4.935	1"	33.34	1.313	36.10	1.421	QP
	CU9079	123.00	4.843	1"	33.34	1.313	36.10	1.421	LAB
	CU9079MOD	122.25	4.813	3/4"	33.34	1.313	36.10	1.421	LAB
	CU9079QP	123.00	4.843	1"	33.34	1.313	36.10	1.421	QP
	CU9079SR	123.00	4.843	1"	33.34	1.313	35.40	1.394	O/O
STANDARD CHANNEL	CU9023	125.35	4.935	1"	33.34	1.313	36.10	1.421	QP
	CU9028B	125.35	4.935	1"	33.34	1.313	35.40	1.394	O/O
	CU9033	125.35	4.935	1"	33.34	1.313	36.10	1.421	LAB
	CU9036	125.35	4.935	3/4"	33.34	1.313	36.10	1.421	LAB
	CU9048	125.35	4.935	1"	33.34	1.313	35.40	1.394	SOS
	CU9044QP	125.35	4.935	1"	33.34	1.313	36.10	1.421	SS-QP
	CU9044	125.35	4.935	1"	33.34	1.313	36.10	1.421	SS

Side Guides

FBC Side Guides



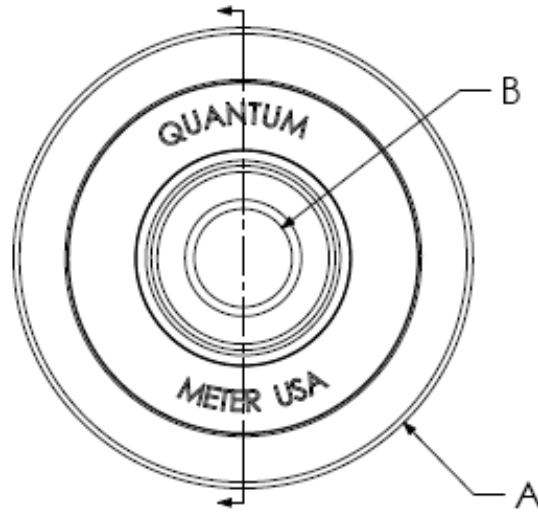
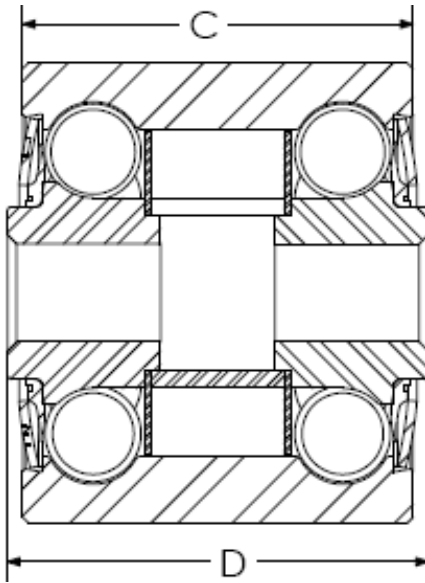
QP: Quantum Plus-brass
inner seal, full contact
teflon seal
IS: Integral Shaft
LAB: Triple Labyrinth Seal
O/O: Open/Open-no seals
SOS: Single Outer Seal
SS: Stainless Steel

Part #	A		B	C		D		Seals	Notes
	mm	in	in	mm	in	mm	in		
CU3027/1MTR	74.6	2.937	1"Shaft	25.40	1.000	29.40	1.157	IS-LAB	
CU3366MTR	74.6	2.937	1"Shaft	25.40	1.000	28.50	1.122	IS-O/O	
CU9027	115.90	4.563	1"	33.34	1.313	36.10	1.421	QP	
CU9045	115.9	4.563	1"	33.34	1.313	36.10	1.421	LAB	
CU9050	74.67	2.940	3/4"-16	28.44	1.120	34.79	1.370	O/O	Threaded Bore
CU9050SOSF1	74.67	2.940	3/4"-16	28.44	1.120	34.79	1.370	SOS	Threaded Bore
CU9050SOSF1S	74.67	2.940	3/4"-16	28.44	1.120	34.79	1.370	SOS	Threaded Bore
CU9050TL	74.67	2.940	3/4"-16	28.44	1.120	34.79	1.370	LAB	Threaded Bore
CU9051	40.89	1.610	1/2"	26.10	1.028	28.04	1.104	SOS	
CU9086	44.4	1.748	7/16"	17.45	0.687	21.00	0.827	O/O	
CU9088	74.67	2.940	1"	28.44	1.120	30.48	1.200	LAB	
CU9088SR	74.67	2.940	1"	28.44	1.120	30.20	1.189	O/O	
CU9088SS	74.67	2.940	1"	28.44	1.120	30.48	1.200	SS	
CU9090O/O	81.6	3.213	5/8"	26.93	1.060	30.42	1.198	O/O	
CU9090	81.6	3.213	5/8"	26.93	1.060	31.00	1.220	LAB	
SG1000	41.1	1.618	1/2"	22.30	0.878	24.00	0.945	O/O	
SG1000TL	41.1	1.618	1/2"	22.30	0.878	24.00	0.945	LAB	

Roller Turn Rollers

Roller Turn Rollers

LAB: Triple Labyrinth Seal
SFL: Sealed for Life
TRB: Tapered Roller Bearing



Part #	A		B	C		D		Seals
	mm	in	in	mm	in	mm	in	
CU2413MTR	71.44	2.813	3/4"	65.10	2.563	71.44	2.813	TRB
CU3382	70	2.756	9/16"	47.70	1.878	54.00	2.126	LAB-SFL
CU3526	70.00	2.756	5/8"	49.60	1.953	55.65	2.191	LAB
CU9039	70	2.756	1/2"	65.10	2.563	71.40	2.811	LAB-SFL
CU9040MTR	70	2.756	5/8"	65.10	2.563	71.40	2.811	LAB-SFL
CU9043	70	2.756	5/8"	65.10	2.563	71.40	2.811	LAB
CU9073MTR	71.44	2.813	5/8"	65.10	2.563	71.40	2.811	TRB
CU9080	71.4	2.811	1/2"	65.10	2.563	71.40	2.811	TRB