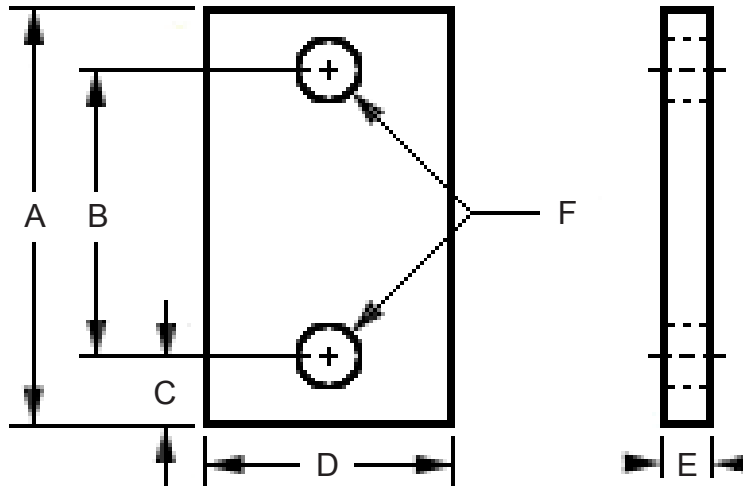


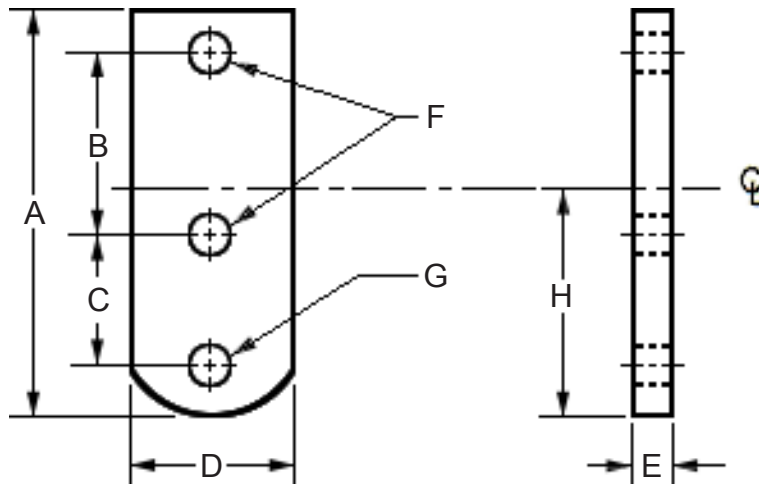
Chain Attachments

"I" Attachments



CHAIN SIZE	Part #	A	B	C	D	E	F
X-458	3423	3.00"	2.13"	0.44"	1.75"	0.375"	0.41"

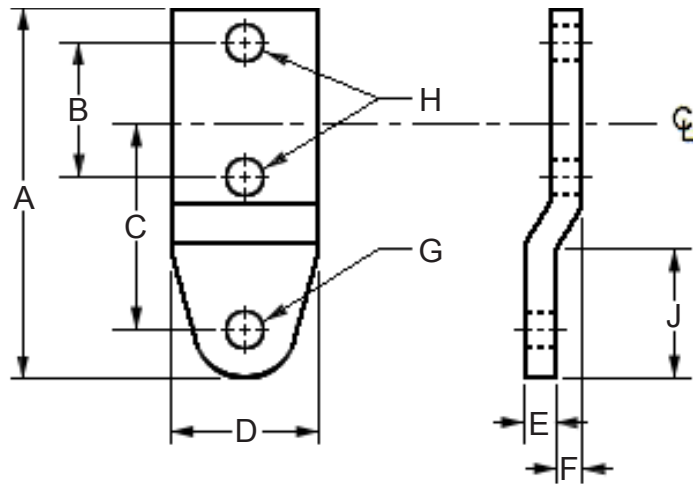
"C" Attachments



CHAIN SIZE	Part #	A	B	C	D	E	F	G	H
X-348	33262	5.25"	1.88"	2.25"	1.44"	0.25"	0.34"	0.53"	3.75"
X-458	3427	5.62"	2.13"	2.06"	1.75"	0.38"	0.41"	0.56"	3.94"

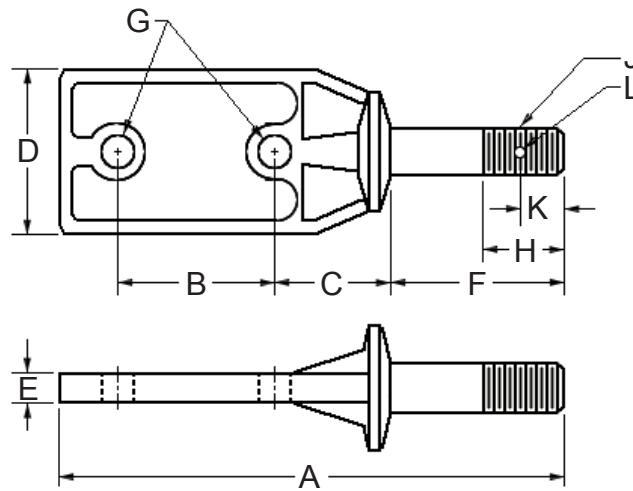
Chain Attachments

"H" Attachments



CHAIN SIZE	Part #	A	B	C	D	E	F	G	H	J
X-348	3321	5.22"	1.88"	3.12"	1.50"	0.13"	0.29"	0.53"	0.34"	1.63"
X-458	3421	5.56"	2.13"	2.87"	2.00"	0.18"	0.34"	0.53"	0.41"	1.90"
X-678	3621	7.00"	2.75"	3.63"	3.00"	0.25"	0.41"	0.81"	0.53"	2.00"

"B" Attachments



CHAIN SIZE	Part #	A	B	C	D	E	F	G	H	J	K	L
X-458	3425	6.88"	2.13"	2.00"	2.00"	.38"	0.96"	0.41"	1.12"	5/8-11	0.25"	0.14"
X-678	3625	8.78"	2.75"	2.00"	3.00"	.50"	1.62"	0.53"	1.38"	7/8-9	0.33"	0.20"