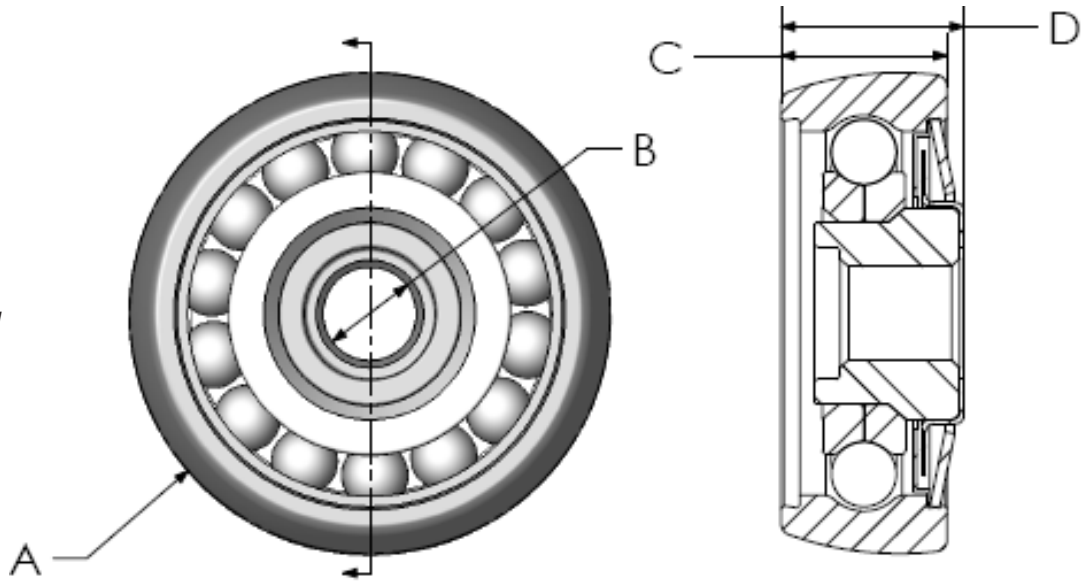


# Wheels

## 3" Track FBC Wheels



**QP:** Quantum Plus-brass  
inner seal, full contact  
teflon seal

**FF:** Flat Face

**LAB:** Triple Labyrinth Seal

**O/O:** Open/Open-no seals

**SOS:** Single Outer Seal

Part #	A		B	C		D		Seals
	mm	in	in	mm	in	mm	in	
<b>CU2381/1SR</b>	<b>59.13</b>	<b>2.328</b>	<b>3/8"</b>	<b>19.05</b>	<b>0.750</b>	<b>20.60</b>	<b>0.811</b>	<b>O/O</b>
<b>CU2381/1MTR</b>	<b>59.13</b>	<b>2.328</b>	<b>3/8"</b>	<b>19.05</b>	<b>0.750</b>	<b>21.10</b>	<b>0.831</b>	<b>LAB</b>
<b>CU2483/1WB</b>	<b>54.00</b>	<b>2.126</b>	<b>1/2"</b>	<b>19.05</b>	<b>0.750</b>	<b>21.10</b>	<b>0.831</b>	<b>LAB</b>
<b>CU9022</b>	<b>57.98</b>	<b>2.283</b>	<b>1/2"</b>	<b>20.06</b>	<b>0.790</b>	<b>22.09</b>	<b>0.870</b>	<b>QP</b>
<b>CU9030</b>	<b>57.98</b>	<b>2.283</b>	<b>1/2"</b>	<b>19.05</b>	<b>0.750</b>	<b>21.10</b>	<b>0.831</b>	<b>LAB</b>
<b>CU9046</b>	<b>59.13</b>	<b>2.328</b>	<b>7/16"</b>	<b>19.05</b>	<b>0.750</b>	<b>20.60</b>	<b>0.811</b>	<b>O/O</b>
<b>CU9049</b>	<b>59.13</b>	<b>2.328</b>	<b>7/16"</b>	<b>19.05</b>	<b>0.750</b>	<b>21.10</b>	<b>0.831</b>	<b>LAB</b>
<b>CU9058</b>	<b>59.13</b>	<b>2.328</b>	<b>1/2"</b>	<b>19.05</b>	<b>0.750</b>	<b>21.10</b>	<b>0.831</b>	<b>LAB</b>
<b>CU9059</b>	<b>59.13</b>	<b>2.328</b>	<b>1/2"</b>	<b>19.05</b>	<b>0.750</b>	<b>20.60</b>	<b>0.811</b>	<b>O/O</b>
<b>CU9059OS</b>	<b>59.13</b>	<b>2.328</b>	<b>1/2"</b>	<b>19.05</b>	<b>0.750</b>	<b>20.60</b>	<b>0.811</b>	<b>SOS</b>
<b>CU9060</b>	<b>59.13</b>	<b>2.328</b>	<b>5/8"</b>	<b>19.05</b>	<b>0.750</b>	<b>20.60</b>	<b>0.811</b>	<b>O/O</b>
<b>CU9061</b>	<b>59.13</b>	<b>2.328</b>	<b>5/8"</b>	<b>19.05</b>	<b>0.750</b>	<b>21.10</b>	<b>0.831</b>	<b>LAB</b>
<b>CU9065</b>	<b>59.13</b>	<b>2.328</b>	<b>7/16"</b>	<b>19.05</b>	<b>0.750</b>	<b>20.60</b>	<b>0.811</b>	<b>SOS</b>
<b>CU90910/O</b>	<b>57.15</b>	<b>2.250</b>	<b>5/8"</b>	<b>20.70</b>	<b>0.815</b>	<b>22.10</b>	<b>0.870</b>	<b>O/O-FF</b>
<b>CU9091</b>	<b>57.15</b>	<b>2.250</b>	<b>5/8"</b>	<b>20.70</b>	<b>0.815</b>	<b>22.70</b>	<b>0.894</b>	<b>LAB-FF</b>