

Blue Water Manufacturing

Washupito's Tiendita

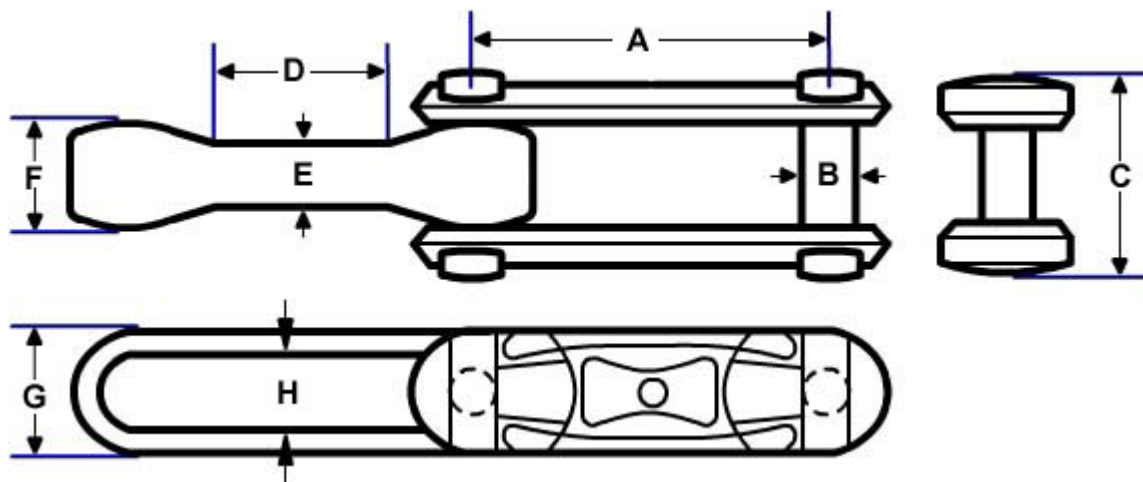
Rivetless Chain

\$84.51

Rivetless Chain



Learn more about [Rivetless Chain](#)



CHAIN SIZE	MATERIAL	AVG. ULT STRENGTH	B	C	D	E
X-348	CARBON PLUS	26,000 lbs	3/8	1.84"	1.63"	.5
	MICROTUFF-15	40,000 lbs				
X-458	CARBON PLUS	52,000 lbs	4	2.25"	2.25"	.6
	MICROTUFF-15	68,000lbs				
	HIGH ALLOY	60,000 lbs				

	CARBON PLUS	112,000 lbs					
X-678	MICROTUFF-15	125,000 lbs	6	.875	3.13"	3.38"	.8
	HIGH ALLOY	120,000 lbs					
698	MICROTUFF-15	160,000 lbs	6	1.12"	3.75"	3.5"	1.

AVAILABLE RIVETLESS CHAIN COATINGS

Yellow-Dichromate Zinc-Dichromate

Black Diamond

SIZE

Pin	348	458	678	698	Material Spec	Heat Treat Spec
Carbon	1732A	1742A	1762A	1862A	4140	341-390
Microtuff-15	1732	1742	1762	1862	MT-15	375-429
High Alloy	1735	1745	1765	1865	8642	429-477

SIZE

Center Link	348	458	678	698	Material Spec	Heat Treat Spec
Carbon	1730A	1740A	1760A	1860A	1048/1053	341-390
Microtuff-15	1730	1740	1760	1860	MT-15	375-429
High Alloy	1733	1743	1763	1863	8642	429-477

SIZE

Side Link	348	458	678	698	Material Spec	Heat Treat Spec
Carbon	1731A	1741A	1761A	1861A	1048/1053	301-344
Microtuff-15	1731	1741	1761	1861	MT-15	375-429
High Alloy	1734	1744	1764	1864	8642	429-477

[Vendor Information](#)

Customer Reviews: There are yet no reviews for this product.
Please log in to write a review.